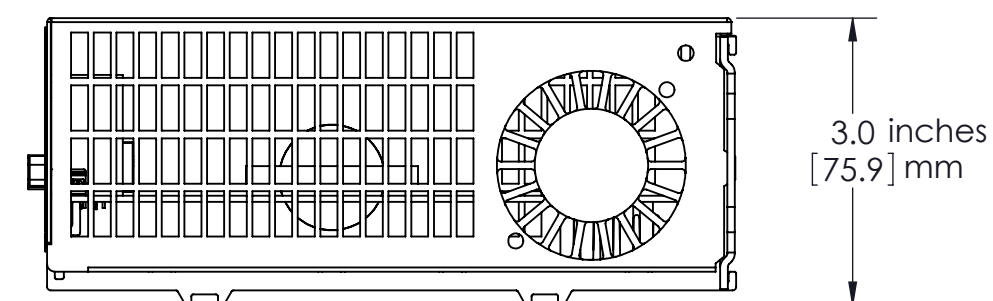
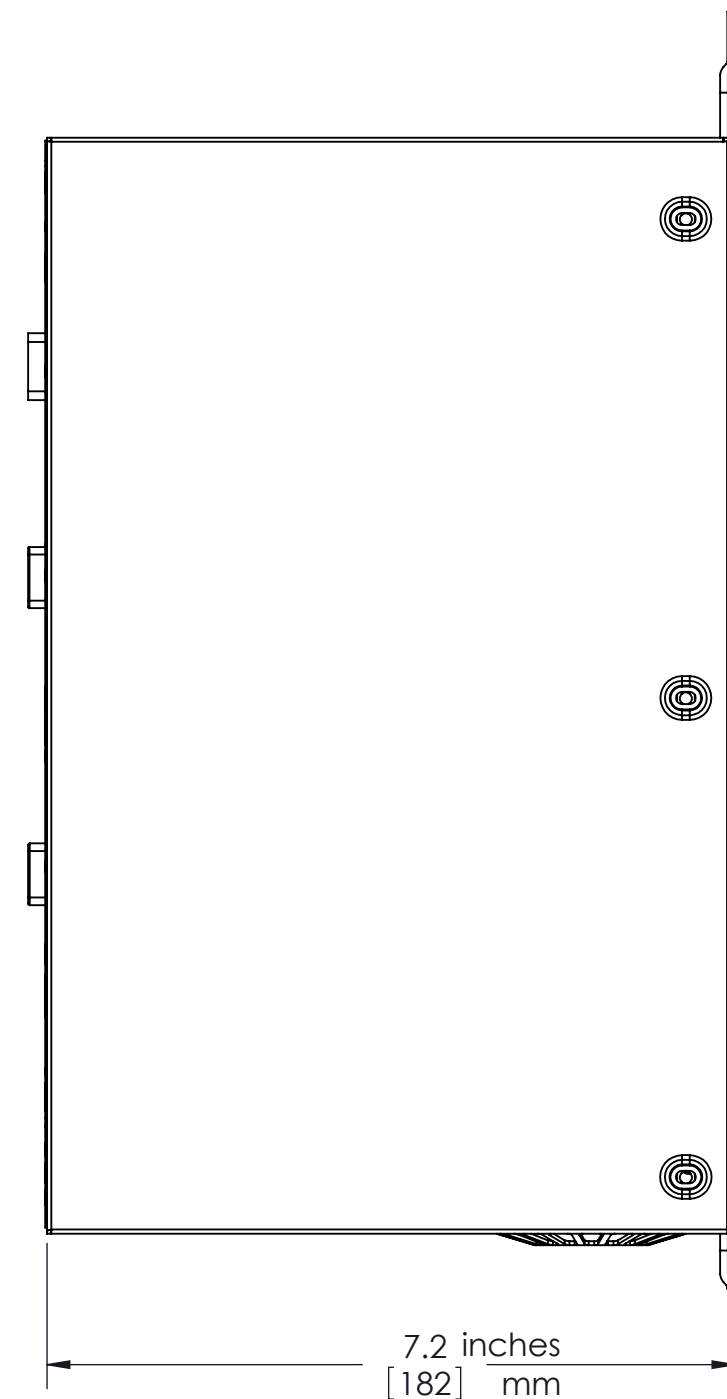
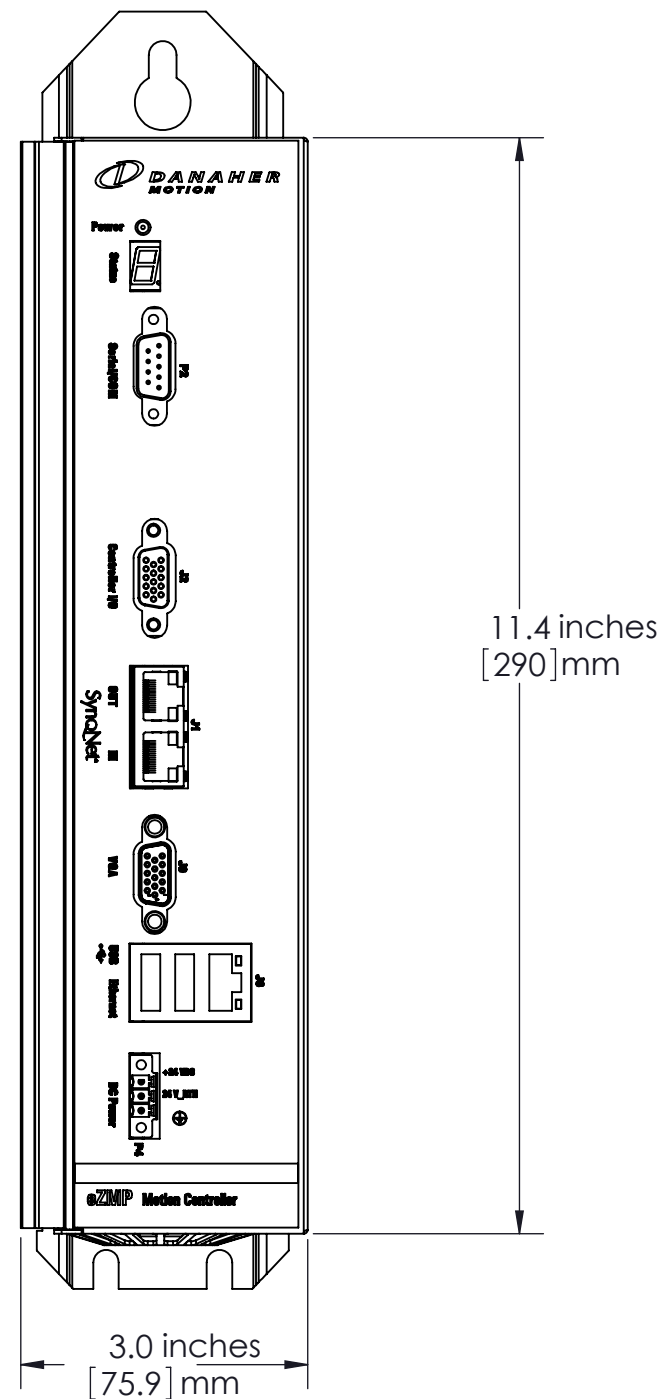
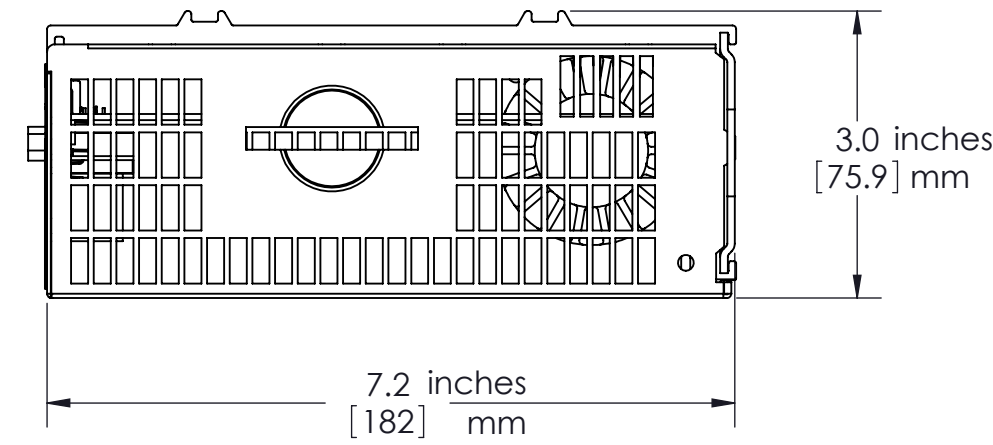


| REVISION HISTORY | | | | |
|------------------|------------|-------------|------|-------|
| REV | ECO NUMBER | DESCRIPTION | DATE | APP'D |
| | | | | |



| | |
|--|--|
| | Basemodel eZMP (32-axes) PN: T126-0001 |
| Dimensions (includes mounting bracket) | 11.4 inches (290 mm) high, 2.8 inches (72.1 mm) wide, 7.2 inches (182 mm) deep |
| Weight | 5.75 lbs (2.61 kg) |

| | |
|--|----------------|
| THIS DRAWING CONTAINS PROPRIETARY INFORMATION AND IS THE PROPERTY OF KOLLMORGEN. THIS DRAWING MAY NOT BE COPIED OR USED WITHOUT PRIOR WRITTEN APPROVAL OF KOLLMORGEN | |
| INTERPRET GEOMETRIC SYMBOLS PER ASME Y14.5M-1994 | |
| SOLID WORKS Model File Rev | |
| SOLID WORKS Instance Name | eZMP_ENCLOSURE |
| SOLID WORKS Drawing Name | eZMP_ENCLOSURE |
| SOLID WORKS Model Type | ASSEMBLY |
| SOLID WORKS Drawing | |

| | | | | |
|------------------------------------|--|---|---|--------------|
| SIGNIFICANT PRODUCT CHARACTERISTIC | UNLESS OTHERWISE SPECIFIED: DIMENSIONS APPLY BEFORE COATINGS REMOVE ALL SHARP BURRS AND BREAK ALL SHARP EDGES | | KOLLMORGEN | |
| | [MILLIMETER] VALUES: ANGULAR TOLERANCE: ±1° X DEC. PLACE: ±0.3mm XX DEC. PLACE: ±0.13mm | INCH VALUES: ANGULAR TOLERANCE: ±1° X DEC. PLACE: ±0.015" XX DEC. PLACE: ±0.005" | | |
| CRITICAL PRODUCT CHARACTERISTIC | DO NOT SCALE DRAWING USE DIMENSIONS ONLY ALL DIMENSIONS ARE IN INCH (MM) MILLIMETER (mm) DIMENSIONS IN BRACKETS {} ARE FOR REFERENCE ONLY | | TITLE: Basemodel eZMP (32-axes) | |
| THIRD ANGLE PROJECTION | DRAWN BY: - CHECKED BY: - APPROVED BY: - | DATE: 10/14/2010 DATE: - DATE: - | SIZE: C | CAGE CODE: - |
| | | | DWG. NO. 9D00-0553 | REV A |
| | | | SCALE: 1:2 | WEIGHT: - |
| | | | SHEET 1 OF 1 | |

DWG. NO. 9D00-0553
REV A

INCH